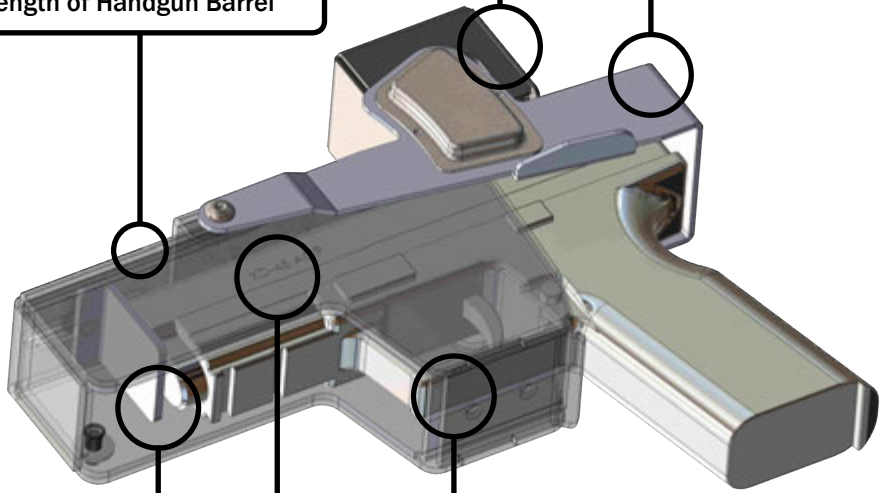




TAMPER PROOF TORX SCREW
Used To Adjust the Barrel Stop to Length of Handgun Barrel

BARREL LOCK
Barrel Key Locks Quick Flip Bale Closed

QUICK FLIP BALE
Easy Open Quick Flip Bale With Left Or Right Hand



PADDED BARREL STOP
Protect The Barrel of Your Handgun From Damage

TRIGGER GUARD TRIM
When Needed Trim Piece takes Up Leftover Distance Between Bottom of Trigger Guard and Inside of Holster Frame

BLACK LEATHER INSERT
Protects Handgun From Damage When Placing and Removing Handgun



**NRA Handgun Holster
Users Manual**

! WARNING !

FAILURE TO FOLLOW THESE WARNINGS MAY RESULT IN SERIOUS INJURY OR DEATH TO YOU OR OTHERS

WARNING: READ USERS MANUAL BEFORE USING.

WARNING: This Storage device is not a substitute for a gun safe. Given sufficient time any firearm storage device may be compromised.

WARNING: Neither the NRA Handgun Holster by Jotto Gear nor any other firearm storage device can take the place of other safety procedures including advising children of the dangers of firearms and keeping firearms away from the untrained.

WARNING: Empty firearms of all ammunition before storing. Do not store with rounds in firearm. Store magazines and ammunition separately.

WARNING: Always keep fingers clear of trigger when removing or replacing firearm.

WARNING: Keep Thumb on back of hammer or slide when inserting pistol in holster to insure pistol is not cocked during insertion.

WARNING: Always store firearms in the NRA Handgun Holster with lock in closed and locked position.

WARNING: Use only with firearms listed in user's manual. Do not use with firearms not listed.

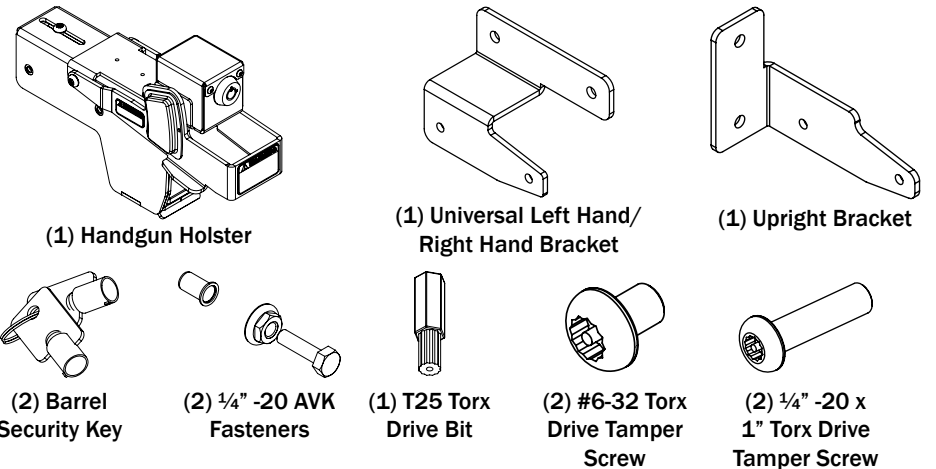
WARNING: Always handle firearms as if they are loaded and ready to fire. Always assume a firearm is loaded.

WARNING: Be familiar with how firearms work. We recommend that you attend hunting and shooting safety classes.

WARNING: Never mix alcohol or drugs with firearms or the NRA Handgun Holster or NRA Home Defense Cabinet.

WARNING: Always follow firearm safety rules set out by the firearm's manufacturer.

LEARN: Before you begin installation, familiarize yourself with what is in the box. Each NRA® Handgun Holster by Jotto Gear comes with

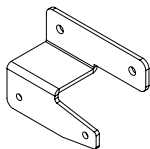


Need Help or Have Questions? 1-800-979-3375

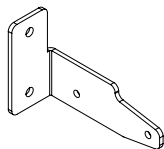
SELECT: Determine where you want to mount your NRA® Handgun Holster by Jotto Gear. Each handgun holster comes with two different mounting brackets. Depending upon options available to you, it can be mounted where it works best in your vehicle, home or at work.



DETERMINE: Choose one of the supplied mounting brackets that will work best for the location you are going to install your handgun holster. If you choose to mount in a vehicle, we have provided two AVK fasteners for your convenience. If you use the AVK fasteners and mount in an automobile, follow the AVK INSTALLATION PROCEDURE on this page. Because the mounting locations are so varied, if you decide to mount to a surface in your home or office - you will have to supply your own fasteners that will work best for the location you've chosen.



(1) Universal Left Hand/
Right Hand Bracket



(1) Upright Bracket

Holster Set Up:

Before you attach the holster body to the mounting bracket, you will need to set up the holster to receive your handgun. Each NRA Handgun Holster by Jotto Gear comes with the "Barrel Stop" and the "Trigger Guard Shim" pre-installed as an example of how yours could look. The padded barrel stop protects the end of the barrel and is adjusted like you see with the white sample gun shipped in the box. There is a plastic shim that rests beneath the trigger guard. This trigger guard shim must be used on some models to take up slack between the bottom of the trigger guard and the inside bottom of the handgun holster to provide for proper locking.

1. Use the supplied T25 Torx bit and loosen the tamper proof torx screw on the top/front portion of the holster. It should be loose enough to slide it back and forth.
2. With the barrel stop out of the way, if your handgun trigger guard hits the front edge of the trigger guard shim then use a #1 Phillips head screw driver and remove the two screws and the shim.
3. Place your handgun into the holster sliding the barrel stop so you can close the bail down over the back of the handgun slide.
4. Snug the barrel stop up against the handgun barrel and with the bail just touching the back sides of the handgun slide tighten the tamper proof torx screw.

NRA JOTTO GEAR

209 W. Easy St.

Rogers, AR 72756

Customer Service: 800.979.3375

WWW.NRAJOTTOGEAR.COM

- Home/Office Installation -



WARNING



Read and understand these instructions and the labels on the NRA Handgun Holster by Jotto Gear before using.
Before you begin installation in a home or office, make sure the location you choose is free of all electrical and mechanical services.

1. Secure chosen mounting bracket to location you've selected using the hardware you've supplied.
2. Proceed to Mount the Holster section.

- Automobile Installation -



WARNING



Read and understand these instructions and the labels on the NRA Handgun Holster by Jotto Gear before using.
Before you being installation in a vehicle, make sure the location you choose is free of all gas tank, gas lines, brake lines, electrical and mechanical services.

AVK Installation Procedure - When selecting the exact location in your vehicle, you must check to make sure the location you choose is free of all gas, electrical and mechanical services. Use QR Code to right to view sample AVK fastener installation, or you can view at <http://nrajottogear.gojotto.com/avk-fastener-installation-video>.



AVK Install

1. The AVK fastener is designed to mount to metal surfaces only. Prepare mounting area by pulling back carpet, padding or other materials and marking where you will drill using the chosen mounting bracket.
2. Predrill pilot holes where you marked with 1/4" drill bit. Using a 25/64" drill bit, enlarge pilot holes.
3. Place 1/4"-20 x 1" long bolt through the 5/16" flange nut and hand thread bolt into the AVK fastener.
4. Place into 25/64" drilled hole and use 1/2" box end wrench to secure the flange nut. Apply downward pressure on the flange nut, pressing AVK fastener into hole. Using socket wrench, tighten the 1/4"-20 x 1" bolt. This will allow the AVK fastener to expand and secure onto the backside of the metal, REMOVE the 1/4"-20 x 1" bolt and discard. Repeat for second hole.
5. Take the two 1/4" -20 x 1" Torx Drive Tamper Screws and attach chosen mounting bracket to AVK fasteners using the T25 torx bit.
6. Proceed to Mount the Holster section.

Mount the Holster:

1. Depending upon how you are mounting the handgun holster, position the two remaining holes on the mounting bracket with the two holes on either the left or right side of the handgun holster.
2. Take the two #6-32 Torx Drive Tamper Screws and secure handgun holster to the mounting bracket using the T25 Torx bit.



An NRA Licensed Product